

Fig. 1. BioMINT (Modular Temporay Immersion Bioreactor).

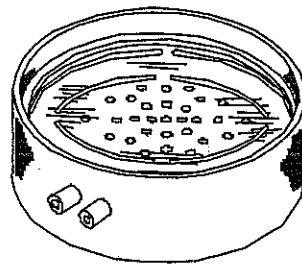
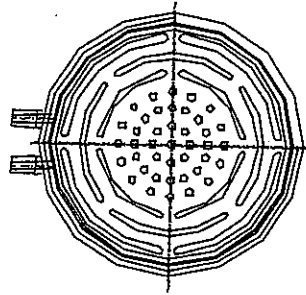


Fig. 2. Adapter piece to which the two culture vessels are assembled.

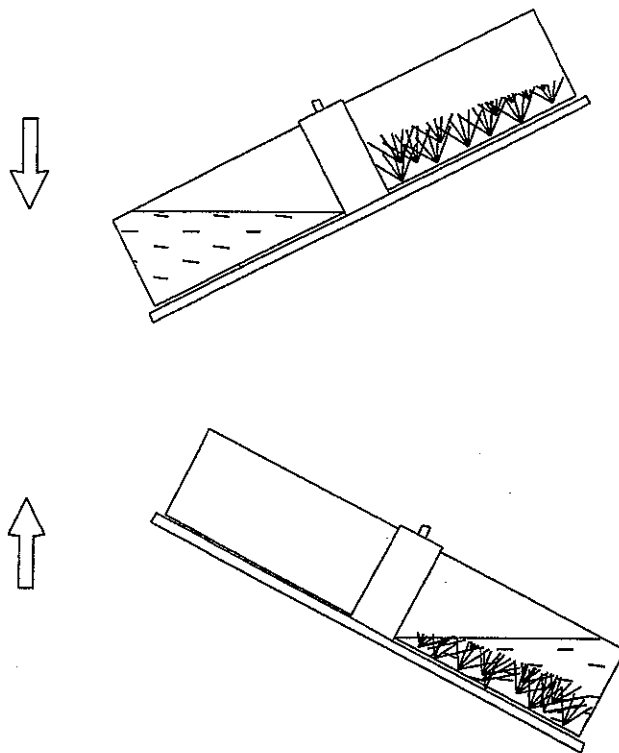


Fig. 3. The two stages of the immersion system.

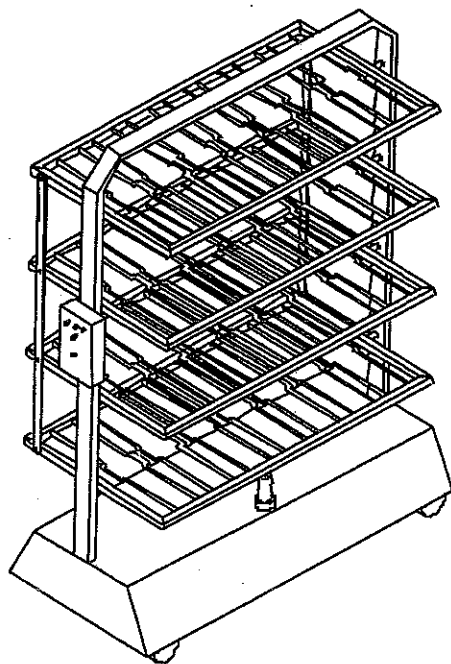


Fig. 4. Diagram showing the stand that supports the BioMINT™ system.